

#### A Cut Above the Competition

##### • Industry Leading Precision and Accuracy!

- +/- 0.001" Linear positional accuracy (over 12") - per axis
- +/- 0.001" Repeatability (bi-directional)
- +/- 0.003" Renishaw ballbar tests of squareness and straightness (over 24") at 70° F.
- A axis rotation = +/- 60 degree travel
- Taper compensation
- Rotary axis +/- 440°
- Focal point design
- Intelligent Work Envelope automatically adjusts to cut angle.
- Motion system separated from the catcher tank, eliminating vibration and heat migration resulting in maximum part quality.
- Motion components protected by metal covers, brush seals and filtered blowers creating a positive air pressure seal.
- 300 IPM contouring and 500 IPM rapid positioning (460V)
- Accurate and predictable return to path
- Supports multiple cutting heads for increased productivity.
- Industrial PC controller

##### Standard Features

- Table sizes: 5'x5' to 24'x13' (1500mm x 1500mm) to (7300mm x 4000mm)
- (1) 5-axis cutting head
- Closed loop drive system on X & Y Axis
- AC digital brushless servo motors, absolute encoders, SERCOS
- Preloaded anti-backlash recirculating ball screws
- Linear bearings with hardened precision ground ways
- Y and U axes separately driven
- Variable feed-rate override for contouring and rapid motions
- Full-featured hand-held pendant
- High pressure whip delivery system
- Larger tables feature scissor arm high pressure plumbing to bridge; whip line high pressure plumbing to cutting head

##### Options

- Dual cutting heads in Push-Pull carriage design – idler-type secondary carriage tied to primary carriage – head separation manually adjusted – occupies 16" of work envelope when parked
- Dual cutting heads in dual programmable carriages, servo driven – occupies 16" of work envelope when parked. Reduced further with other options.
- AC brushless digital servo Z axis with absolute encoders (standard Z is motorized)
- Active and timed height control
- Laser surface mapping
- Lights Out Cutting Package
- Adjustable tank water level for under-water cutting
- Closed loop water filtration system - eco-friendly
- Automatic abrasive removal system
- CAD/CAM nesting software
- Pneumatic drill
- Stainless steel catcher tanks, slat kits and other work surfaces
- Splash shields - simple or active protection
- Twin catcher tank bladders to decrease cycle time.
- CE Mark- ENGLISH ONLY controller

##### Waterjet Pumps

Jet Edge offers the widest selection of pumps in the industry. 30-200hp (22-149kw). Intensifier and direct drive pumps available.



Jet Edge's EDGE X-5<sup>®</sup> 5-axis waterjet system cuts complex taper-free and 3D parts from virtually any material. The EDGE X-5 dramatically increases your waterjet cutting capabilities by allowing you to produce chamfers, weld bevels and sophisticated 3D parts such as impeller blades - all with a taper-free finish.

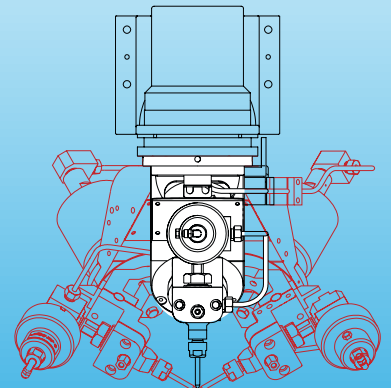
Like all Jet Edge waterjet systems, the EDGE X-5 is designed to provide years of dependable service in harsh industrial environments. Its rock-solid design separates the motion system from the catcher tank, eliminating vibration and ensuring maximum part quality. It is ball-screw driven for optimal precision and features direct-couple AC brushless digital servo motors and single or double carriages. Critical bearing components are protected by heavy metal covers with brush seals and positive air pressure.



##### Aquavision Di Industrial PC Controller

Designed specifically for 5-axis waterjet cutting, the powerful and flexible Aquavision Di Controller features an open architecture design that gives operators the freedom to fine-tune programs from any CAD/CAM/nesting software, utilizing standard G&M code. The system's Intelligent Work Envelope automatically adjusts the work envelope depending on the angle of the cut.

SIZES	SIDE BEAMS		CROSS BEAMS	
	5'	5'	8'	13'
8'	5'	8'	13'	
13'	5'	8'	13'	
21'	5'	8'	13'	
24'	5'	8'	13'	



A axis rotation = +/- 60 degree travel

Specifications subject to change.

[www.jetedge.com](http://www.jetedge.com)

+1-763-497-8700 | 1-800-JET-EDGE

[sales@jetedge.com](mailto:sales@jetedge.com)